

LED-BP-SLIM Series

Field & Factory Installable Emergency LED Battery Pack (10W)
Slimmest & Lowest Profile in the Industry

FLEXIBLE CONDUIT MODELS



LED-BP-SLIM-10W

PUSH IN TERMINAL BLOCK MODELS



LED-BP-SLIM-10W -TB

APPLICATION

The LED-BP-SLIM Series battery packs allow users to convert normal LED luminaires into approved emergency lighting luminaires. With the slimmest and lowest profile in the industry, these units can be mounted inside or outside of the luminaire.

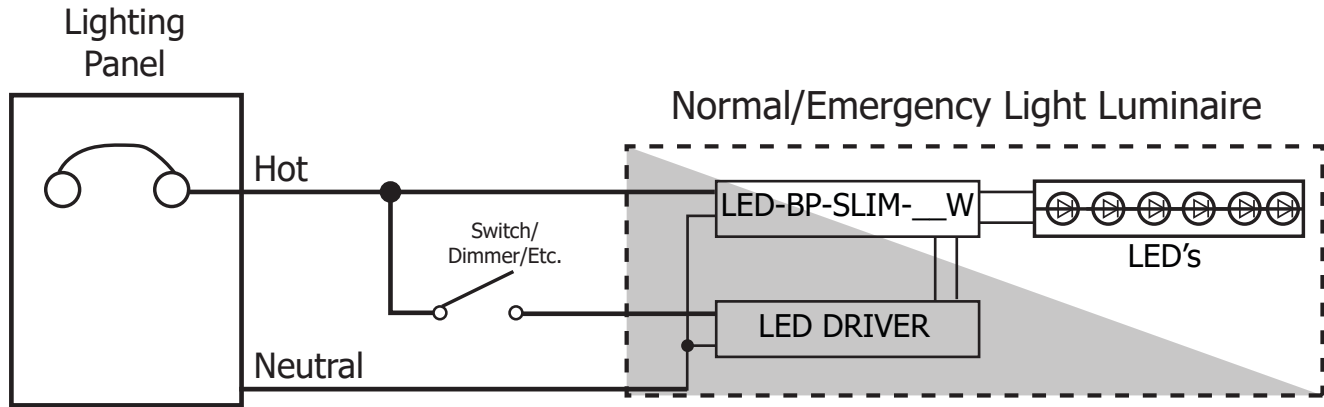
During emergency operation, LED-BP-SLIM automatically transfers to battery power. The automatic voltage detection circuit matches the output voltage to your specific LED fixture, and runs it at constant power/light output for a minimum of 90 minutes. When the AC power is restored, the emergency LED-BP-SLIM Series switches the system back to normal mode of operation and resumes battery charging.

FEATURES

- UL924 Listed
- Converts LED luminaires into approved emergency lights for 90 minutes
- Constant power output with automatic overload and low battery protection
- Automatic Voltage Detection: can be used with LED drivers/luminaires operating from 5-300VDC
- 120-277VAC Universal Input
- LED Test Switch
- Li-Ion batteries provide long life and are maintenance-free
- 5-Year Warranty
- Self-diagnostics
- Suitable for use in dry or damp locations.
- Available in **10W Size**
- Can be mounted inside or outside of the luminaire
- Unique feature: conduit version may be converted to TB version if installation requirements change.



SINGLE LINE DRAWING



SPECIFICATIONS

For Flexible Conduit Models :

MODEL NO	INPUT VOLTAGE	OUTPUT VOLTAGE (VDC)	OUTPUT POWER (WATTS)	DIMENSIONS L x W x H (INCHES)	TEMPERATURE (°C)	WARRANTY
LED-BP-SLIM-10W	120/277 AC 50/60 Hz	10-300	10	12.52 x 1.18 x 0.87	0~50	5-year replacement warranty

For Push In Terminal Block Models:

MODEL NO	INPUT VOLTAGE	OUTPUT VOLTAGE (VDC)	OUTPUT POWER (WATTS)	DIMENSIONS L x W x H (INCHES)	TEMPERATURE (°C)	WARRANTY
LED-BP-SLIM-10W-TB	120/277 AC 50/60 Hz	10-300	10	10.24 x 1.18 x 0.87	0~50	5-year replacement warranty