



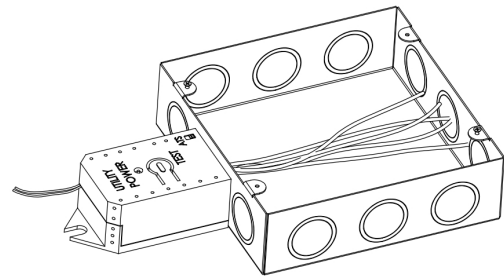
LUT-SHUNT-A-TD

UL924 Listed Emergency Power Control

Intended for use with Ketra™ Controls & Luminaires



**Mounting ears can be quickly removed with pliers to permit mounting using threaded hub.*



2-1/2"(L) x 1-5/8"(W) x 1-3/8"(H)
(excluding ears/hub)

Field wiring leads: 7.5"

APPLICATION

LUT-SHUNT-A-TD 16 Amp rated high-voltage shunt relay is UL924 listed for emergency lighting control applications.

The LUT-SHUNT-A-TD has been UL tested with select Lutron™ and Ketra controls and luminaires to form a complete emergency lighting system.

The LUT-SHUNT-A-TD senses utility power and upon loss of utility power generates a 2.5 second timed interruption of emergency power feed to the downstream Lutron Control and/or Ketra luminaire. These controls/luminaires have been designed to respond to such a timed interruption by returning to a pre-defined emergency scene.

Recent changes to NEC and UL924 standards have mandated direct sensing of power loss which has led to the creation of software solutions that target blips. The LUT-SHUNT-A-TD is proud to be the first of its kind!

For further details about compatibility, please contact LVS tech support.

Note: For pricing and purchasing information, please contact your local Lutron Representative.

FEATURES

- UL924 listed
- Tested with select Lutron and Ketra luminaires to ensure compatibility and compliance with latest NEC and UL924 requirements
- Universal Mount Design:
Contractor friendly hub design similar to industry standard power packs for quick and easy installation.
- Integral test switch and green utility power indicator
- 16A rated relay contact
- Provides 2.5 second power interruption to connected loads upon loss of normal power, complying with the 10th Edition UL924 requirements for detection of normal power loss (section 29A)

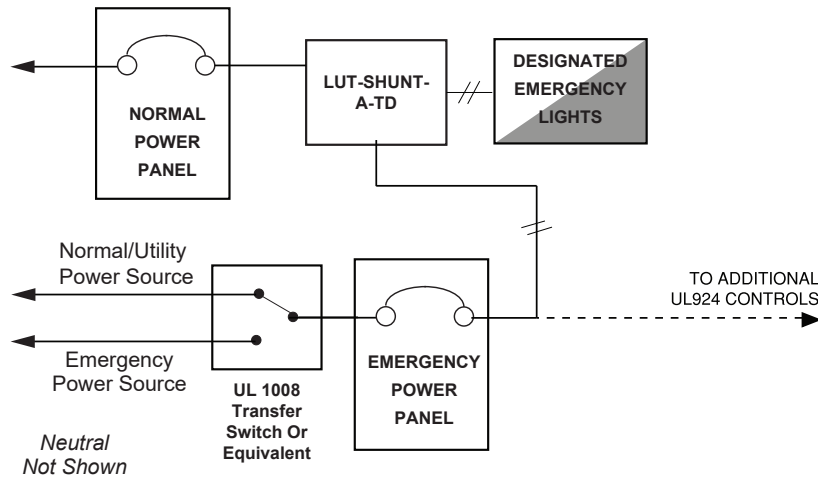
Gary Gilgur
EM Supply LLC



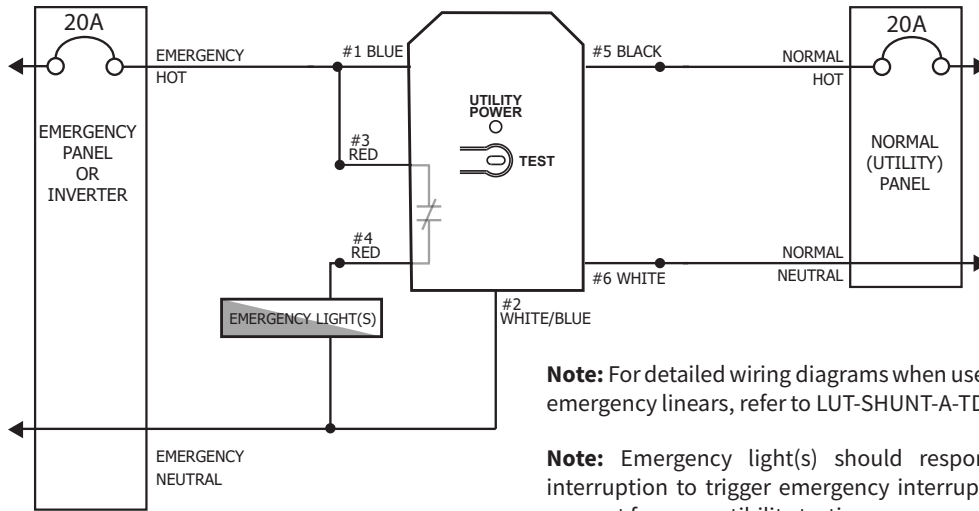
(973) 650-0853
Sales@EM-Supply.com
www.EM-Supply.com



SINGLE LINE DRAWING



WIRING DIAGRAM



Note: For detailed wiring diagrams when used with Lutron/Ketra N3 and emergency linears, refer to LUT-SHUNT-A-TD installation guide.

Note: Emergency light(s) should respond to 2.5 second power interruption to trigger emergency interruption. Consult LVS technical support for compatibility testing.

SPECIFICATIONS

ELECTRICAL RATINGS	MODEL NUMBER	LUT-SHUNT-A-TD
	SENSING VOLTAGE	120-240/277V
	LOAD VOLTAGE	120-277V
	BALLAST/DRIVER LOAD	16 Amp Electronic Ballast/LED Driver/General Use 5 Amp Magnetic Ballast
	INCANDESCENT LOAD	1800W (120V) / 3000W (277V) Normally Closed Output Contact
	WARRANTY	5 Year Limited Warranty

MECHANICAL	MOUNTING	Nipples on 1/2" KO
	PLENUM RATING	Plenum Rated. Tested to UL2043. UL94-5VA.
	SHIPPING WEIGHT/COLOR	4 oz. / Black
	TEMPERATURE	0°C - 60°C (32°F - 140°F)
	BODY SIZE (without hub/ears)	2-1/2" x 1-5/8" x 1-3/8"
	BODY SIZE (with hub/ears)	3-5/8" x 1-5/8" x 1-3/8"

Gary Gilgur
EM Supply LLC



(973) 650-0853
Sales@EM-Supply.com
www.EM-Supply.com

A-102020